



PROJECT		REF		REV	ITEM CODE	
LOCATION		DATE			PAGE	

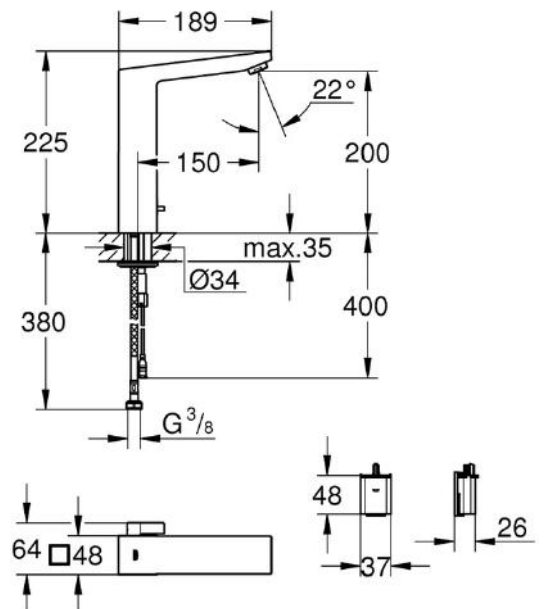
SANITARY WARE SPECIFICATION SHEET

Item Descriptions	GROHE (Germany) "Eurocube E" Chrome plated 3/8" Infra-red electronic basin mixer with mixing device and adjustable temperature limiter in DC supply; nominated flow rate 4.8 L/min in WELS Grade 1; Registration No. TM 18-0257
Dimensions	L189 x W64 x H225 mm
Model	36441000
Finish / Material	Chrome Plated
Country of origin	Germany
Manufacturer	GROHE Limited
Supplier	Acme Sanitary Ware Co. Ltd Mr. Eric Wong/ Mr. Don Yuen
Contact Tel/Fax	(852) 2388-7171 / (852) 2710-8012
E-mail	acme@acmesanitary.com.hk
Website	www.acmesanitary.com.hk

Illustration/ Drawing



<p>"Eurocube E"</p> <ul style="list-style-type: none"> with infrared sensor for bi-directional communication for monitoring, configuration and servicing 6V lithium battery, type CR-P2 battery lifetime approx. 7 years (150 actuations a day) GROHE StarLight chrome finish laminar spray regulator 5.7 l/min flexible connection hoses non-return valve dirt strainers with integrated solenoid valve external battery rapid installation system multistage battery status display 7 pre-set programs auto flush thermal disinfection cleaning mode additional functions and precise settings by remote control 36 407 CE approved noise classification 1 in accordance with DIN4109 type of protection faucet IP 59K 	
----------------------------------------------------------------------------------------------------------------------------------------------------------------------------------------------------------------------------------------------------------------------------------------------------------------------------------------------------------------------------------------------------------------------------------------------------------------------------------------------------------------------------------------------------------------------------------------------------------------------------------------------------------------------------------------------------------------------------------------------------------------------------------------------------------------------------------------------------------------------------------------------------------------------------------	--



Note: [Grohe Unboxing 36441000](https://www.youtube.com/watch?v=SdvWByAASnU) <https://www.youtube.com/watch?v=SdvWByAASnU>

* All information of the above is for the reference only. No prior notice is made if any changes.



PROJECT		REF		REV	ITEM CODE	
LOCATION		DATE			PAGE	

SANITARY WARE SPECIFICATION SHEET

GROHE surface hardness ×3

GROHE scratch resistance ×10

*42 408		
*36 133		
*36 4C7		
*36 276		
*19 017		15mm
*36 308		
	*36 340	3m
	*3E 341	10m

Note:

* All information of the above is for the reference only. No prior notice is made if any changes.

註冊號碼 (Registration No.): TM 18-0257




自願參與用水效益標籤計劃 - 水龍頭
Voluntary Water Efficiency Labelling Scheme - Water Taps



茲證明
This is to certify that

將下列水龍頭在本計劃內註冊：
has registered the following water tap under this scheme :

牌子 / Brand	:	GROHE
型號 / Model	:	36441000 + 40.2151.033
種類 / Type	:	Mixing
原產地 / Country or Region Origin	:	Germany

在用水效益標籤上展示的標誌 <i>Symbolic Presentation on the Water Efficiency Label</i>	:		滴水點 <i>Water droplet(s)</i>
用水效益級別 <i>Water Efficiency Grade</i>	:	1	
耗水量 <i>Water Consumption</i>	:	4.8	公升/分鐘 <i>litres/minute</i>

簽發日期: 11 October 2018
Date of Issue:

 水務署
Water Supplies Department



水務署署長(鍾兆榮代行)
for Director of Water Supplies